



INSTALLATION INSTRUCTIONS

Accessory

ENGINE BLOCK HEATER
P/N 08T44-S5B-100

Application

2006 RSX

Publications No.

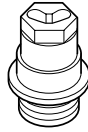
BII 30233

Issue Date

JULY 2006

PARTS LIST

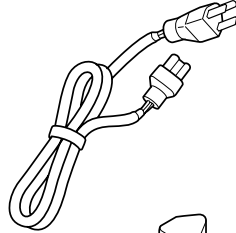
Engine block heater



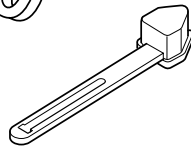
Aluminium washer



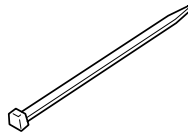
Heater harness



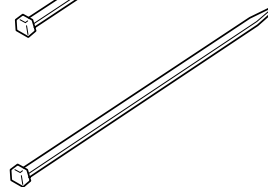
Protective cap



6 Short wire ties



Long wire tie



TOOLS AND SUPPLIES REQUIRED

Phillips screwdriver

Ratchet

19 mm and 24 mm Sockets

Torque wrench

Diagonal cutters

Drain pan

Coolant (Genuine Honda Antifreeze/Coolant only, in a 50/50 mixture with water)

NOTE:

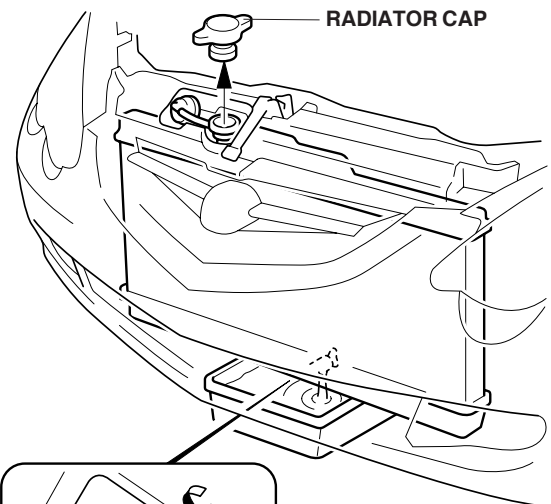
- Always use Honda Antifreeze/Coolant. Using a non-Honda coolant can result in corrosion, causing the cooling system to malfunction or fail.
- To avoid burning out the element, do not operate the engine block heater before it is installed in the vehicle and before you add coolant.

INSTALLATION

Customer Information: The information in this installation instruction is intended for use only by skilled technicians who have the proper tools, equipment, and training to correctly and safely add equipment to your vehicle. These procedures should not be attempted by "do-it-yourselfers".

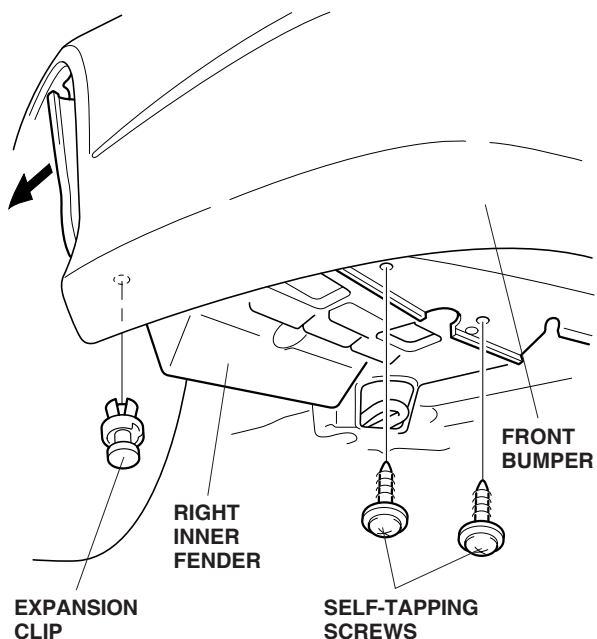
1. Allow the engine and all cooling system components to cool down.
2. Place a clean drain pan under the radiator drain plug, and then remove the drain plug from the bottom of the radiator to drain the coolant. Remove the radiator cap to increase the flow.

NOTICE Radiator coolant will damage paint. Quickly rinse any spilled coolant from painted surfaces.

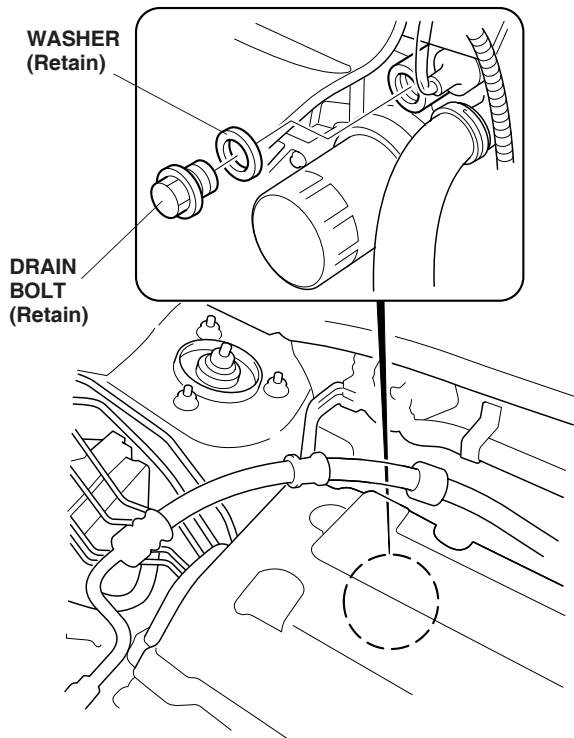


DRAIN PLUG

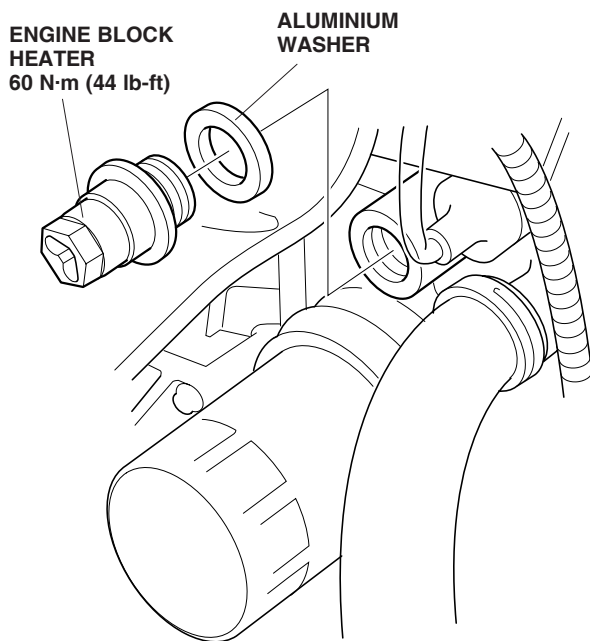
- Remove the two self-tapping screws and the expansion clip fastening the right inner fender to the front bumper.



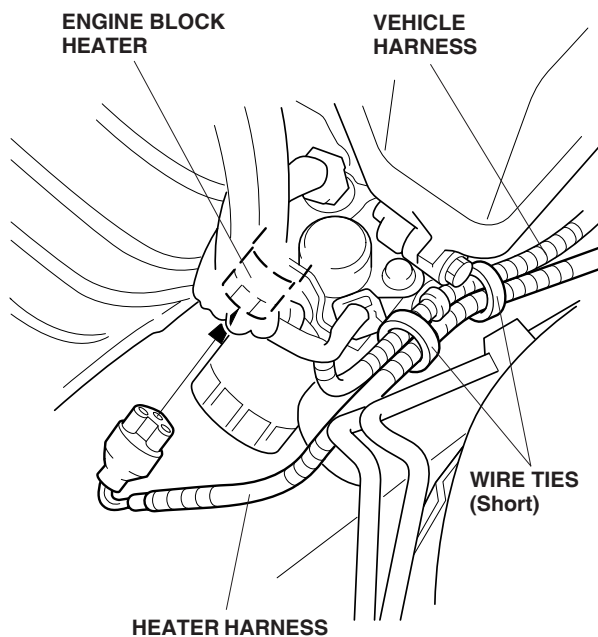
- Locate and remove the engine block drain bolt and washer. Coolant remaining in the engine jackets flows out of the bolt hole when the bolt is removed. (Retain the bolt and washer in case the engine block heater is removed.)



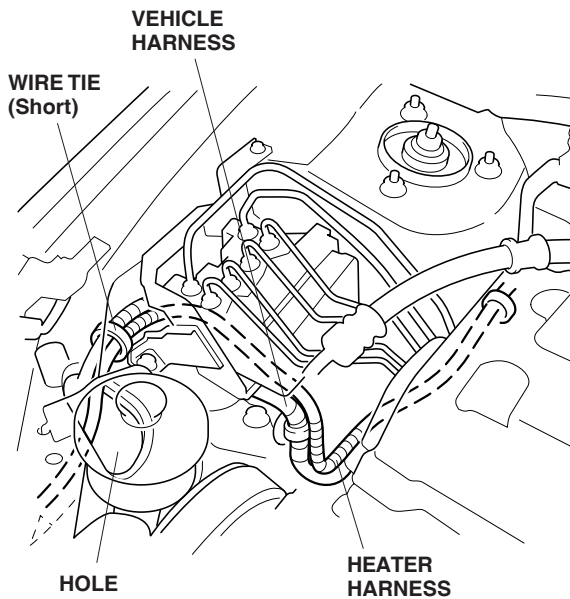
- Install the new aluminium washer and the engine block heater into the bolt hole using a 24 mm socket and a torque wrench. Torque the engine block heater to 60 N·m (44 lb-ft).



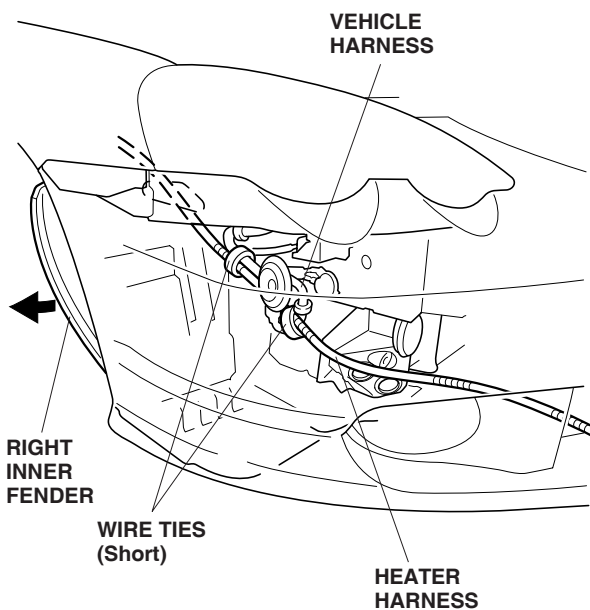
- Plug the connector end of the heater harness into the engine block heater. Secure the heater harness to the vehicle harness with the two short wire ties in the areas shown.



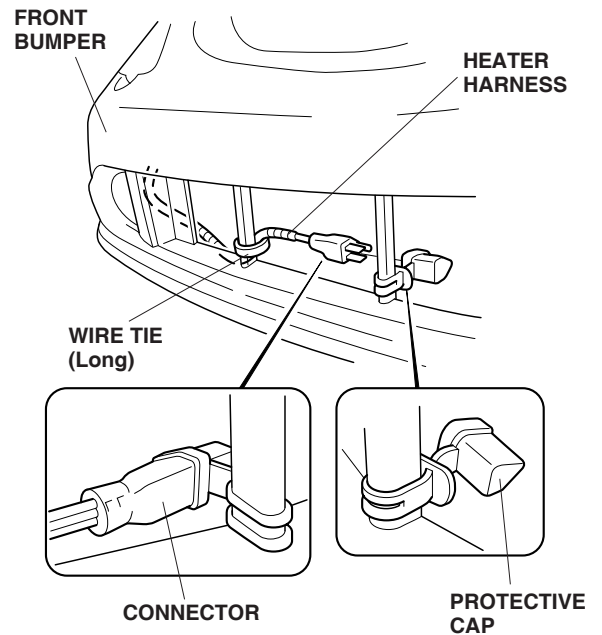
7. Route the heater harness toward the front through the hole in the body below the headlight.



8. Secure the heater harness to the vehicle harness with the short wire tie, as shown.
9. Continue routing the heater harness toward the front bumper, and secure it to the vehicle harness with the two short wire ties.



10. Continue routing the heater harness toward the middle of the front bumper, and secure it to the grille with the long wire tie.



11. Attach the protective cap to the grille, and plug the connector of the heater harness into the protective cap.
12. Reinstall the radiator drain plug.
13. Fill the system with the recommended coolant. Follow the instructions in the service manual.
14. Check the coolant reservoir for correct level and signs of leakage. Repair as necessary.
15. Check that the heater harness is routed properly and all connectors are plugged in.
16. Put the drain bolt and washer (removed in step 4) into the glove box.